

# Microwave Motion Sensor (MS905)

## User Manual



R-R-RSN-MS905

MS905 is a microwave motion sensor based on 24GHz K-Band. This serves to control similar devices for the opening and closing of automatic doors by detecting the movement of humans or objects. For the safe and accurate use of the product, please read this instruction manual carefully.

### 1 Introduction



- 24GHz K-Band Microwave motion sensor.
- Uni-directional or Bi-directional to be set by DIP switch.
- NO/NC to be set by DIP switch.
- Detect sensitivity and angle adjustable.
- Operating Temperature: -40°C to 85°C

### 2 Technical Specifications

**Power Supply** : DC 12~30V, AC 12~24V

**Microwave Module** : 24.150 ~ 24.250GHz

**Contact Hold Time** : 1 second

**Detecting Field** : 4m(W) x 2m(D)  
(Height: 2.3m, Lowest Angle/Highest Sensitivity)

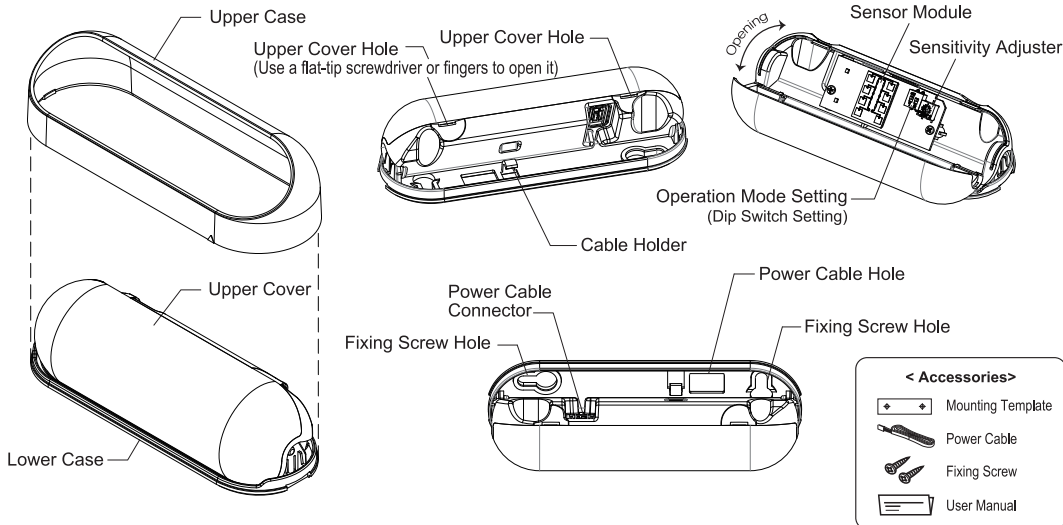
**Current Consumption** : 42mA(DC12V, +25°C)

**Contact Capacity** : 100mA 400V AC/DC

**Max Installation Height** : 3.2m

**Operating Temperature/Humidity** : -40°C~85°C  
R.H.0%~95%

### 3 General Information



**NOTE** Specifications are subject to change without prior notice to improve product function and quality.

### 4 Installation Guide

※ Be aware of electric shock and other wiring on site

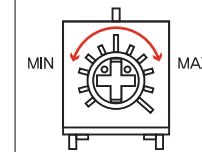
After connecting a power cable to connector, fix the lower case to the wall and cable to cable holder.

- Apply mounting template to transom and make holes for fixing screws and power cable.
- Lift the upper case to the direction of arrow.
- Connect the power cable. Fix the cable on the cable holder.
- Fix the lower case to the wall with fixing screws.
- Assemble the upper case and adjust the detecting area by adjuster.
- LED Indicator

**⚠ Do not supply the power during engineering work of installation. Do not disassemble or modify the device, it may cause fire or electric shock.**

### 5 Sensitivity Setting

Open upper cover, set the sensitivity by adjuster.



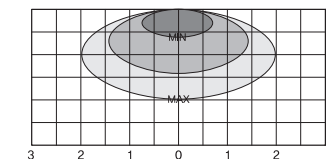
### 6 Operation Mode Setting

Open upper cover, set the operation mode by DIP switch.

	DIP switch	Position	Mode	Operation
ON	No. 1 (Left)	Up	BI	Detects approaching and receding objects. (Bi-directional)
		Down	UNI	Detects movement towards the sensor only
OFF	No. 2 (Right)	Up	NC	Normal Close
		Down	NO	Normal Open

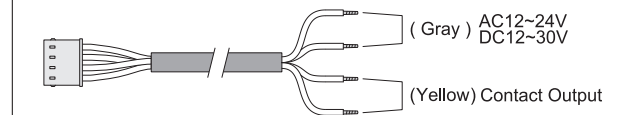
### 7 Detection Area

(Height: 2.3m, minimum angle)



### 8 Wiring Diagram

This product has four wires.



### 9 Installation Caution

- Avoid installation where there are moving objects such as leaves.
- Avoid heavy rain and snow.
- Avoid vibration.
- Avoid fluorescent light.